

Wheelie Tote

Although designed for wheelchairs, it can also be used on a variety of chairs and loungers.

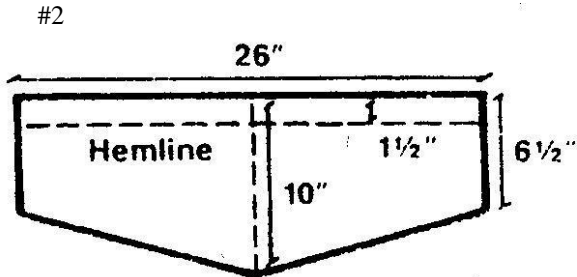
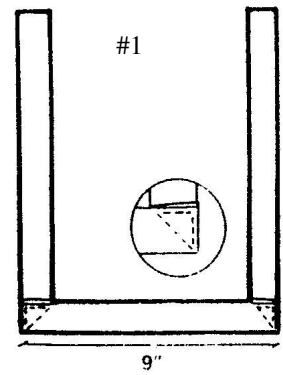
Materials: 1/3 yard of 36" to 45" wide of firmly woven fabric, such as denim, canvas, or duck, etc.

3" of 1" wide hook and loop fastener, such as Velcro.

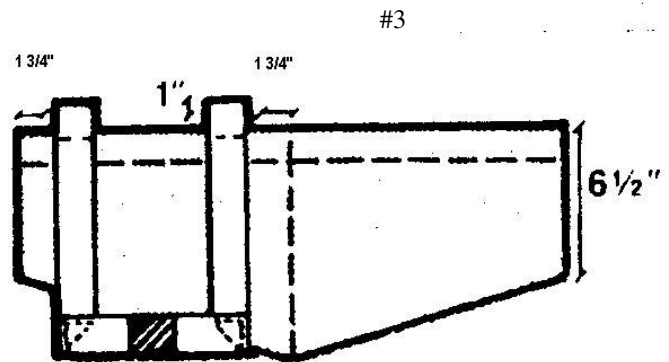
7/8 yard of 1" wide of firmly woven webbing.

Step One: Construct handle. Miter corners of webbing to form handle; reinforce with corner stitching. Center the hook side of the Velcro on the wrong side of the handle crosspiece and stitch around it twice to secure.

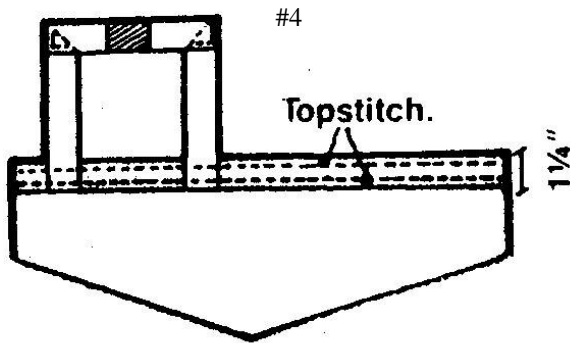
Step Two: Cut one tote from fabric following the dimensions given below. Embellish the outside of the tote as desired before construction.



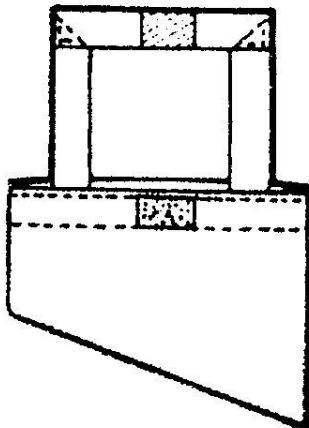
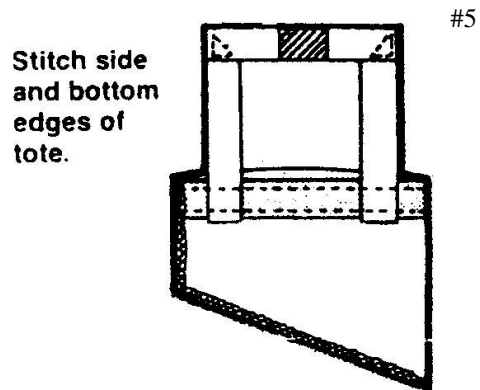
Step Three: With right sides together, position the handle as shown in #3, allowing the ends to extend 1" beyond the tote edge. Baste the handle in place close to the top edge of the tote.



Step Four: To hem the top edge of the tote, press under 1/4" of fabric and the handle extension. Then, press under 1 1/4" along the hemline and topstitch close to both folded edges. Stitch to secure the handle.



Step Five: With right sides together, serge or double-stitch the side and press.



Step Six: To finish, center the loop section of Velcro on the back side of the tote between hem topstitching lines. Stitch around the edges twice.